

Genset Data Sheet 1

| | Prime | Standby |
|-----------------|---------------------|---------------------|
| Genset model | AJ 17P | AJ 17S |
| 380-415V, 50Hz | 15.0 kVA 12.0 kW | 16.5 kVA 13.2 kW |
| 220 /127V, 60Hz | 16.9 kVA 13.5 kW | 18.8 kVA 15.0 kW |

Ratings at 0.8 pf

Prime

This rating is for the supply of continuous electrical power (at variable load) in lieu of commercially purchased power. There is no limitation on the annual hours of operation and 10% overload power can be supplied for one hour in twelve hours.

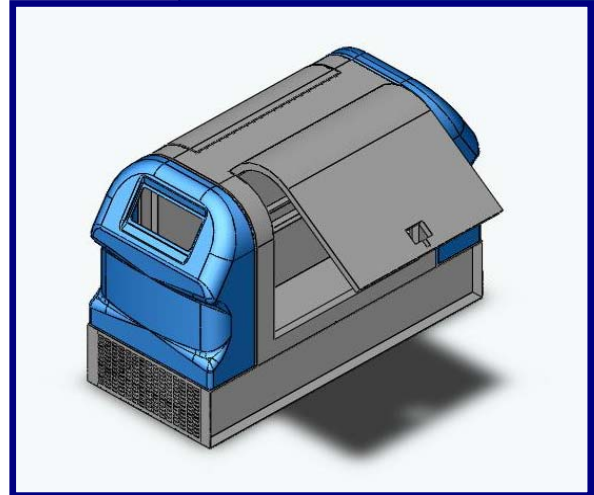
Standby

This rating is for the supply of continuous electrical power (at variable load) in the event of a utility power failure. No overload is permitted.

| | | | |
|--|----------------------------|----------------|----------------|
| Engine | Deutz | D2009L03 | |
| Number of cylinders | | 3 in-line | |
| Cubic capacity | litre (cu inch) | 1.72 (105) | |
| Aspiration | | Natural | |
| Alternator | Newage | Stamford | |
| Frequency | Hz | 50 | 60 |
| Engine speed | rpm | 1500 | 1800 |
| Fuel tank capacity | litre (USgal) | 100 (26.4) | 100 (26.4) |
| Fuel consumption at full rating: | | | |
| Prime | litre /h (USgal /h) | 4.03 (1.06) | 4.70 (1.24) |
| Standby | litre /h (USgal /h) | 4.15 (1.10) | 5.41 (1.43) |
| Heat rejection to exhaust system (max) | kW (BTU /min) | 13.8 (784) | 15.2 (864) |
| Heat rejection to cooling system (max) | kW (BTU /min) | 10.7 (608) | 13.0 (739) |
| Total radiated heat (max) | kW (BTU /min) | Not applicable | Not applicable |
| Exhaust temperature (max) | deg C (deg F) | 482 (899) | 564 (1047) |
| Radiator cooling air flow | cu m /min (cfm) | Not applicable | Not applicable |
| with max restriction | mm (inch) H ₂ O | Not applicable | Not applicable |
| Combustion air flow (max) | cu m /min (cfm) | 1.06 (37) | 1.29 (46) |
| Exhaust gas flow (max) | cu m /min (cfm) | Not applicable | Not applicable |
| with max allowable back pressure | mm (inch) H ₂ O | Not applicable | Not applicable |

Note: Standard reference conditions: 25deg C (77deg F) air inlet temperature, 152.4m (500feet) above sea level, 60% relative humidity. All engine performance data based on the above mentioned maximum continuous ratings. Fuel consumption data at full load for diesel fuel with specific gravity of 0.85 and conforming to BS2869: 1998, class A2.

Genset photograph may include optional extras



**Diesel
Sound
attenuated
Three phase
AJ 17**

Genset Data Sheet 2

Genset model AJ 17

Dimensions

| | | |
|--|-----------|--------------|
| Length (A) | mm (inch) | 1,600 (63.0) |
| Width (B) | mm (inch) | 720 (28.3) |
| Height (C) | mm (inch) | 1,200 (47.2) |
| Max horizontal projection of open door (D) | mm (inch) | 550 (21.7) |
| Max total height of open door (E) | mm (inch) | 1,970 (77.6) |

Weights:

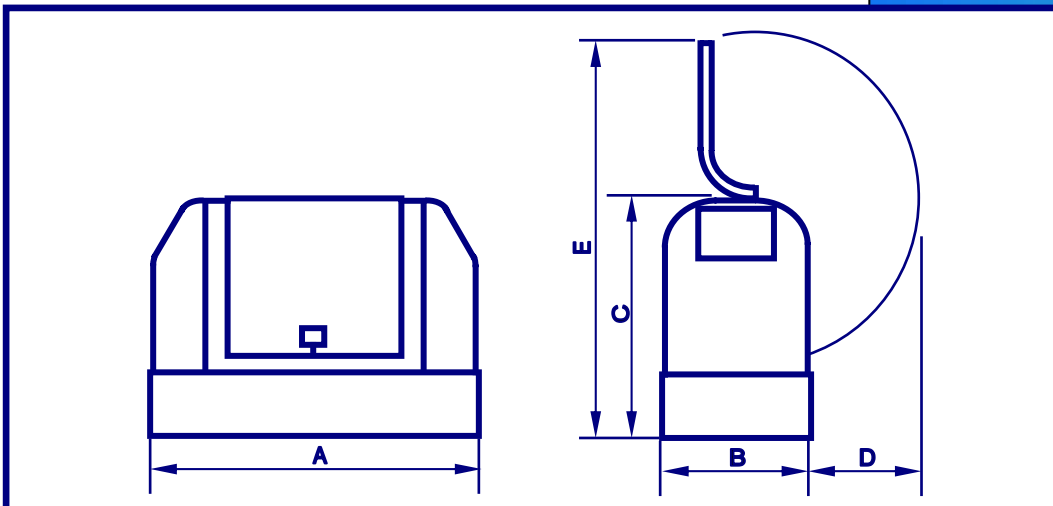
| | | |
|--|---------|-------------|
| Dry weight (with lube oil) | kg (lb) | 550 (1,210) |
| Wet weight (with lube oil and coolant) | kg (lb) | 575 (1,265) |

Sound pressure levels:

| | | 50Hz 1500rpm | 60Hz 1800rpm |
|----------------|-------|-----------------|-----------------|
| 15m, 75% load | dB(A) | 60.0 | 62.0 |
| 15m, 100% load | dB(A) | 60.0 | 62.0 |
| 7m, 75% load | dB(A) | 66.0 | 68.0 |
| 7m, 100% load | dB(A) | 66.0 | 68.0 |
| 1m, 75% load | dB(A) | 77.0 | 79.0 |
| 1m, 100% load | dB(A) | 77.0 | 79.0 |



**Diesel
Sound
attenuated
Three phase
AJ 17**



AJ Power Limited

1 Charlestown Drive, Carn, Craigavon, BT63 5GA
Northern Ireland, United Kingdom
Tel: +44 (0)28 3836 1000 Fax: +44 (0) 28 3836 1010
E-mail: sales@ajpower.net Web: www.ajpower.net

In line with our policy of continuous development, we reserve the right to change specification without notice

DA3 AJ 17 050511-2