

# Genset Data Sheet 1

	Prime	Standby
Genset model	AJ 18P	AJ 18S
380-415V, 50Hz	16.0 kVA 12.8 kW	17.5 kVA 14.0 kW
220 /127V, 60Hz	19.4 kVA 15.5 kW	21.3 kVA 17.0 kW

Ratings at 0.8 pf

## Prime

This rating is for the supply of continuous electrical power (at variable load) in lieu of commercially purchased power. There is no limitation on the annual hours of operation and 10% overload power can be supplied for one hour in twelve hours.

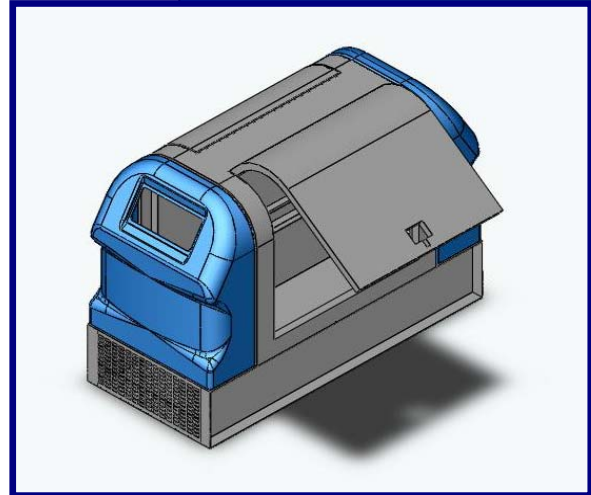
## Standby

This rating is for the supply of continuous electrical power (at variable load) in the event of a utility power failure. No overload is permitted.

Engine	Lister Petter	LPW4	
Number of cylinders		4 in-line	
Cubic capacity	litre (cu inch)	1.72 (105)	
Aspiration		Natural	
Alternator	Newage	Stamford	
Frequency	Hz	50	60
Engine speed	rpm	1500	1800
Fuel tank capacity	litre (USgal)	100 (26.4)	100 (26.4)
Fuel consumption at full rating:			
Prime	litre /h (USgal /h)	4.29 (1.13)	5.16 (1.36)
Standby	litre /h (USgal /h)	4.72 (1.24)	5.69 (1.50)
Heat rejection to exhaust system (max)	kW (BTU /min)	10.8 (614)	12.8 (728)
Heat rejection to cooling system (max)	kW (BTU /min)	12.2 (688)	14.4 (819)
Total radiated heat (max)	kW (BTU /min)	Not applicable	Not applicable
Exhaust temperature (max)	deg C (deg F)	462 (864)	495 (923)
Radiator cooling air flow with max restriction	cu m /min (cfm) mm (inch) H <sub>2</sub> O	Not applicable	Not applicable
Combustion air flow (max)	cu m /min (cfm)	1.30 (46)	1.56 (55)
Exhaust gas flow (max) with max allowable back pressure	cu m /min (cfm) mm (inch) H <sub>2</sub> O	Not applicable	Not applicable

Note: Standard reference conditions: 25deg C (77deg F) air inlet temperature, 152.4m (500feet) above sea level, 60% relative humidity. All engine performance data based on the above mentioned maximum continuous ratings. Fuel consumption data at full load for diesel fuel with specific gravity of 0.85 and conforming to BS2869: 1998, class A2.

Genset photograph may include optional extras



**Diesel  
Sound  
attenuated  
Three phase  
AJ 18**

# Genset Data Sheet 2

Genset model AJ 18

## Dimensions

Length (A)	mm (inch)	1,600 (63.0)
Width (B)	mm (inch)	720 (28.3)
Height (C)	mm (inch)	1,200 (47.2)
Max horizontal projection of open door (D)	mm (inch)	550 (21.7)
Max total height of open door (E)	mm (inch)	1,970 (77.6)

## Weights:

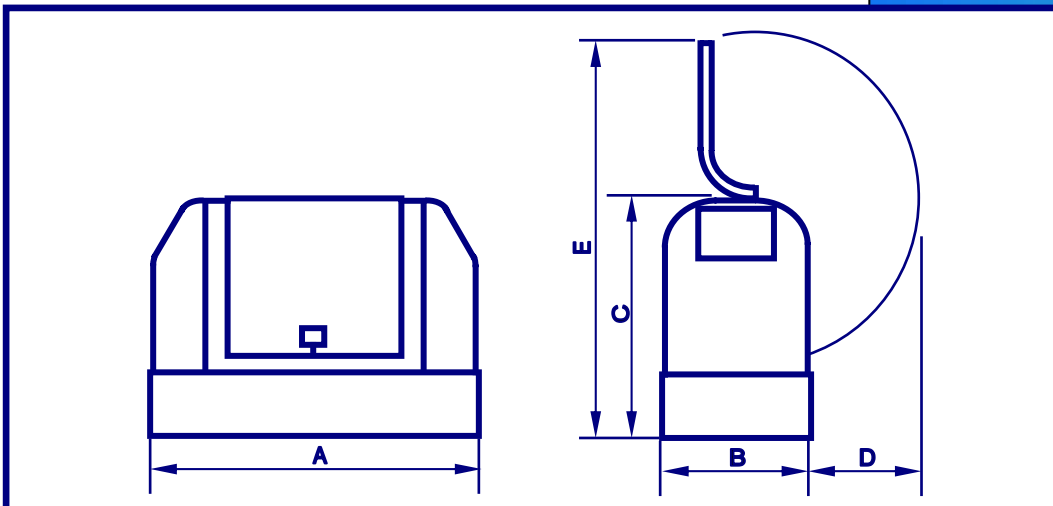
Dry weight (with lube oil)	kg (lb)	600 (1,320)
Wet weight (with lube oil and coolant)	kg (lb)	625 (1,375)

## Sound pressure levels:

		50Hz 1500rpm	60Hz 1800rpm
15m, 75% load	dB(A)	60.0	62.0
15m, 100% load	dB(A)	60.0	62.0
7m, 75% load	dB(A)	66.0	68.0
7m, 100% load	dB(A)	66.0	68.0
1m, 75% load	dB(A)	77.0	79.0
1m, 100% load	dB(A)	77.0	79.0



**Diesel  
Sound  
attenuated  
Three phase  
AJ 18**



## AJ Power Limited

1 Charlestown Drive, Carn, Craigavon, BT63 5GA  
Northern Ireland, United Kingdom  
Tel: +44 (0)28 3836 1000 Fax: +44 (0) 28 3836 1010  
E-mail: sales@ajpower.net Web: www.ajpower.net

In line with our policy of continuous development, we reserve the right to change specification without notice

DA3\_AJ 18\_040419-2